

(12) PATENT APPLICATION PUBLICATION

(19) INDIA

(22) Date of filing of Application: 17/02/2005

(21) Application No.: 143/MUMNP/2005

(43) Publication Date: 30/09/2005

A

(54) Title of the invention: METHOD FOR THE RECOVERY OF METALS USING CHLORIDE LEACHING AND EXTRACTION.

(51) International classification : C22B 3/04, 3/10, 3/26, 15/00

(31) Priority Document No : 20021827

(32) Priority Date : 15/10/2002

(33) Name of priority country : FINLAND

(86) International Application No and Filing Date : PCT/FI2003/00070 8

(87) International Publication No : WO 2004/035840

(61) Patent of addition to Application No : NIL

Filed on : N.A.

(62) Divisional to Application No : NIL

Filed on : N.A.

(71) Name of Applicant:

OUTOKUMPU OYJ

Address of the Applicant:

RIIHITONTUNTIE 7,
FIN-02200
ESPOO, FINLAND.

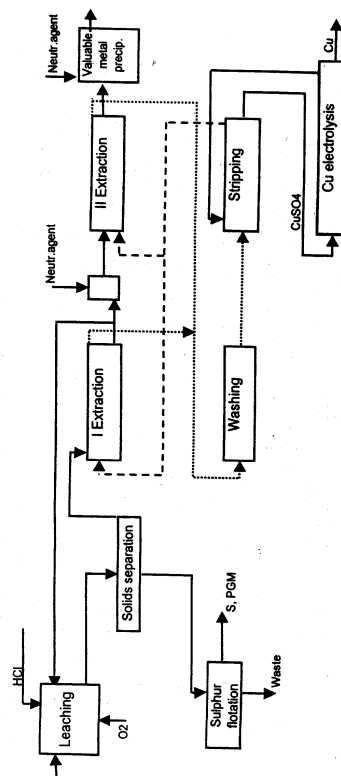
(72) Name of the Inventor:

1. HYVARINEN OLLI

2. HULTHOLM STIG-ERIK

Filed U/S 5(2) before The Patents (Amendment) Ordinance, 2004: NO

(57) Abstract: The invention relates to a method for the recovery of metals, in particular copper, from a copper-bearing raw material, whereby the material is leached into a chloride-containing solution. The leaching of the raw material is performed oxidatively and at a sufficiently high redox potential that the copper in the copper chloride solution from leaching is mainly divalent. The chloride solution obtained, which contains copper and potentially other valuable metals, is fed to liquid-liquid extraction. In the extraction the copper is first transferred to the organic phase with extraction and then to a sulphate solution in stripping, which is fed to copper electrowinning.



Drawing Sheets.01; Total Pages: 12

(FIG. 01)