

Publication After 18 months

The following Patent application have been published under Section 11A of the Patents (Amendment) Act, 2002

(21) **Application No:** 392/MUMNP/2004 A (22) **Date of filing of Application:** 16/07/2004
(PCT/FI03/00215)
Date : 20/03/2003

(54) **Title of the invention :** TRANSFER AND INSULATION DEVICE FOR ELECTROLYSIS.

<p>(51) International classification: C 25 C 7/04</p> <p>(30) Priority Data :</p> <p>(31) Document No.: 2002 0635</p> <p>(32) Date : 03/04/2002</p> <p>(33) Name of convention country : FINLAND</p> <p>(66) Filed U/s. 5(2) : NO</p> <p>(61) Patent of addition to application No.: NIL</p> <p>(62) Filed on : N.A.</p> <p>(63) Divisional to Application No.: NIL</p> <p>(64) Filed on: N.A.</p>	<p>(71) Name of the Applicant:</p> <p>OUTOKUMPU OYJ</p> <p>Address of the Applicant:</p> <p>RIIHITONTUNTIE 7, FIN-02200 ESPOO, FINLAND.</p> <p>(72) Name of the Inventors:</p> <p>01. KIVISTO TUOMO 02. MARTTILA TOM</p>
--	--

(57) Abstract :

The invention relates to a transfer and insulation device (1) for electrically insulating electrodes, particularly anodes (2) and cathodes (3), used in the electrolytic cleaning of metals, from each other in an electrolytic tank (4), for distributing the electrodes as they are hanging in the electrolytic tank and for enabling the electrodes to be transferred, said transfer and insulation device (1) being made of one single piece.

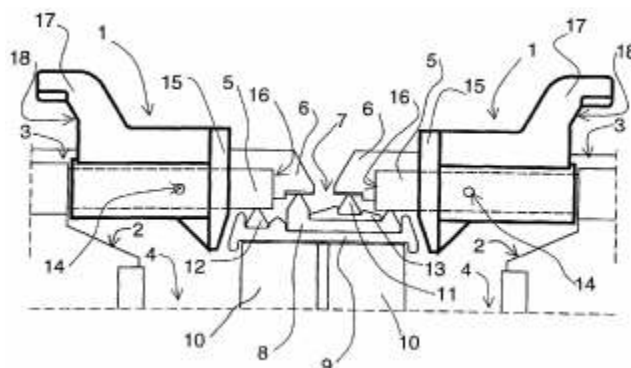


Figure : 1.