

(12) PATENT APPLICATION PUBLICATION

(19) INDIA

(22) Date of filing of Application: 21/12/2004

(21) Application No. : 741/MUMNP/2004

A

(43) Publication Date: 18/11/2005

(54) Title of the invention: COOLING ELEMENT.

(51) International classification : F27D 1/12, 9/00,
C21B 7/10
(31) Priority Document No : 2002 1424
(32) Priority Date : 31/07/2002
(33) Name of priority country : FINLAND
(86) International Application No and : PCT/FI2003/000571
Filing Date : 17/07/2003
(87) International Publication No : WO 2004/011866
(61) Patent of addition to Application No
NIL
Filed on : N.A.
(62) Divisional to Application No :
NIL
Filed on : N.A.

(71) Name of Applicant:

OUTOKUMPU OYJ

Address of the Applicant:

RIIHITONTUNTIE 7, FIN-02200 ESPOO,
FINLAND.

(72) Name of the Inventor:

1. SAARINEN RISTO
2. HUGG EERO
3. SEPPALA KAI

Filed U/S 5(2) before The Patents (Amendment)

Act, 2005: NO

(57) Abstract: The invention relates to a method for manufacturing a cooling element (1) to be used in the structure of a furnace used in metal processes, such as a flash smelting furnace, a blast furnace, an electric furnace or other metallurgical reactor, said cooling element comprising a copper housing (2) made of one single piece, in which housing there is formed a channel system (3) for the circulation of the cooling medium, lining elements (4) made of fireproof material, said housing and lining element including means for connecting them together, and the lining element (4) and the housing (2) are connected so that the lining element (4) can move in the vertical direction with respect to the housing (2). The invention also relates to a cooling element.

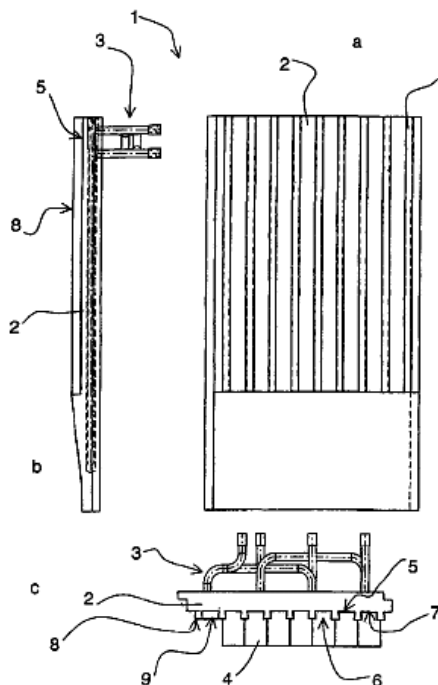


Fig. 1a & 1b.

Drawing 02 Sheets.
Total Pages: 12.